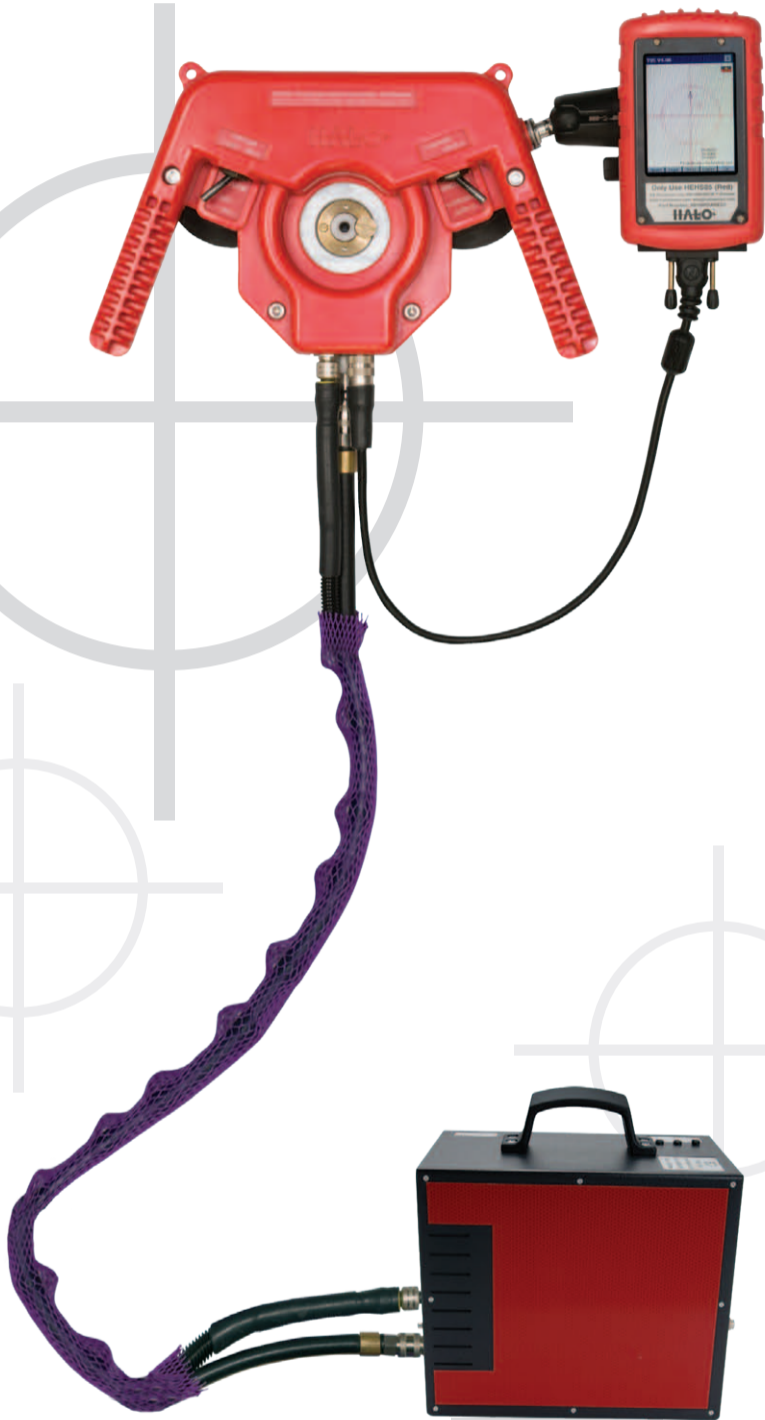


# HALOSENSOR<sup>®</sup> Drill Position Targeting System for Aircraft Manufacture



- Locate hole position from outside the aircraft skin
- Used in the manufacture of all Airbus aircraft
- An alternative to back drilling
- High accuracy levels
- Reduces concessions and waste
- Simple to use; robust in harsh production environments
- All new custom display system

## CURRENTLY USED IN PRODUCTION ON:

AIRBUS

BOEING

BOMBARDIER

EMBRAER

MILITARY, LOCKHEED MARTIN

Other applications and programs are confidential

## SMART TOOLING SOLUTIONS FOR AEROSTRUCTURES

HALOSENSOR<sup>®</sup> is a Business Unit within AB Elektronik, a subsidiary of TT electronics plc. TT electronics plc is a focused, global electronics company supplying the world's leading manufacturers in the defence, aerospace, medical, automotive and industrial electronics markets.

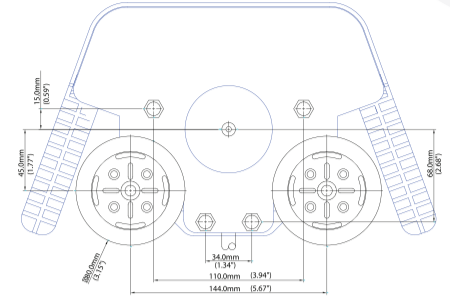
Through its divisions, TT electronics provides a comprehensive range of advanced technology, application-specific engineered solutions and standard products, supported by world-class manufacturing facilities and application engineering teams.

# HALOSENSOR®

## Drill Position Targeting System for Aircraft Manufacture

### HAND HELD SYSTEM

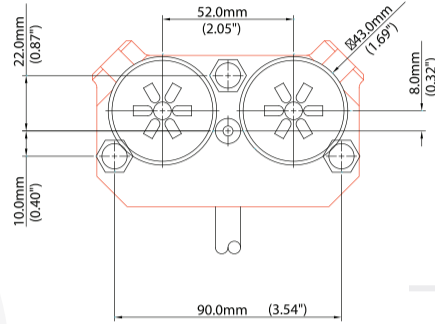
- 1 sensor head, drill block and vacuum system
- 1 targeting computer and mount
- 1 power supply box
- 1 charger
- All cables and mounts required for use (shop air connector not supplied due to variety)



#### HEHS00003CTE

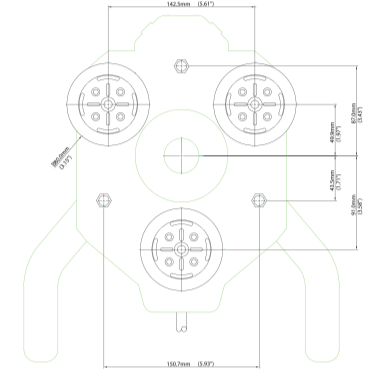
Power Full charge allows up to 24 hours use  
 Range Up to 55mm (2")  
 Accuracy Up to 0.1mm (0.004")

**FOR CLOSE TO EDGE APPLICATIONS**



#### NANOHEHSTSSNANO001

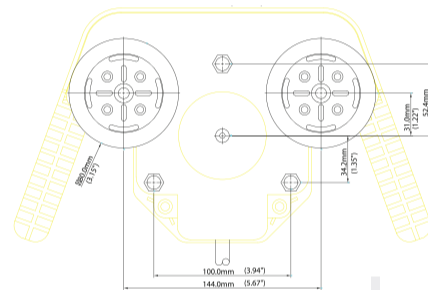
Power Full charge allows up to 24 hours use  
 Range Up to 75mm (3")  
 Accuracy Up to 0.1mm (0.004")



#### HEHSTSSTEMP002

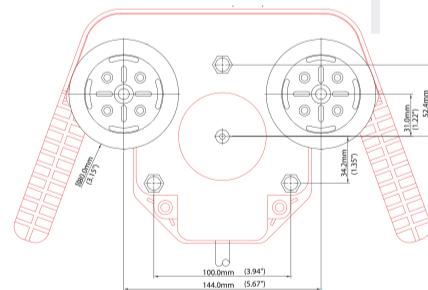
Power Full charge allows up to 24 hours use  
 Range Up to 100mm (4")  
 Accuracy Up to 0.1mm (0.004")

**FOR USE WITH ONE SHOT DRILL SYSTEMS**



#### HEHS00003

Power Full charge allows up to 40 hours use  
 Range Up to 55mm (2")  
 Accuracy Up to 0.1mm (0.004")

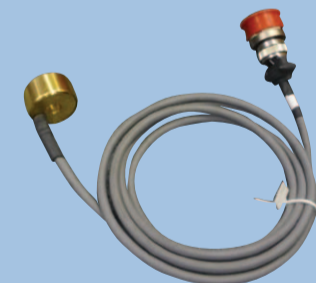
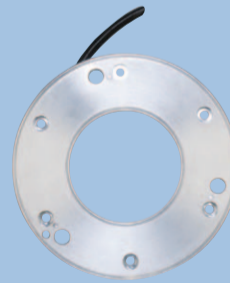


#### HEHS8500001

Power Full charge allows up to 24 hours use  
 Range Up to 100mm (4")  
 Accuracy Up to 0.1mm (0.004")

### ROBOTIC SENSOR SYSTEMS

- Compact sensor head design
- Available with RS232, RS422 or industrial Ethernet
- Industrial computer and display system available
- Custom design to customer application



Power 5-15V  
 Range Up to 100mm (4")  
 Accuracy Up to 0.08mm (0.003")

This document contains typical product specifications. The range figures stated are dependant on the target magnet size. The accuracy figures are dependant on a combination of the range distance, target magnet size & application. Please contact us for information on our custom packaged versions or larger range sizes. All information is subject to AB Elektronik's own data and is considered accurate at time of going to print.