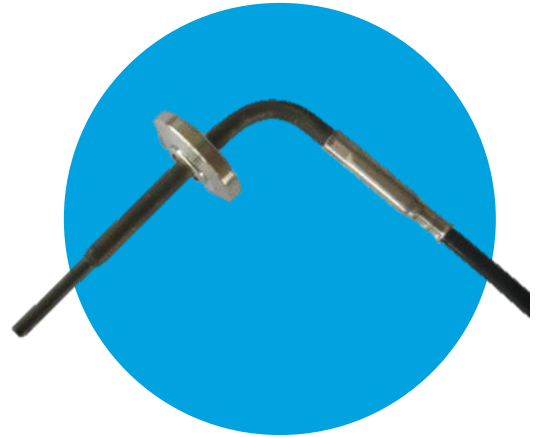
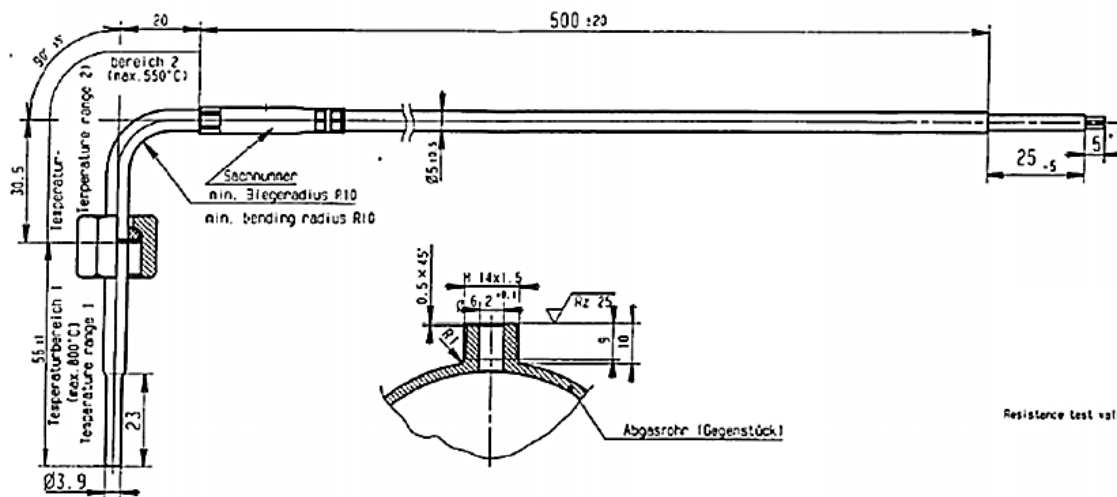


High temperature sensor

94600



Dimensions



Media	Temperature for exhaust, motor, ambient air	Temperature range	- 40 °C to + 800 °C
Sensor type	RTD (Pt200)	Thermal time constant	T50 ≤ 20 s (RT on 120 °C 10 m/s air)
Resistance of insulation	> 10 MΩ at 500 V DC at 500 °C	Resistance of corrosion	In acc. M3018
Electrical intersect. point	No polarity, I _{max} = 5mA (connector on request)	Protection range	Acc. to DIN 40050 T9 IP 6k9k; IP 67 – with mating connector

Resistance test values (acc. to DIN EN 60751)

T (°C)	- 50	- 40	- 20	0	+ 25	+ 200	+ 400	+ 600	+ 800
R (Ω)	160.63	168.55	184.32	200.0	219.5	351.7	494.1	627.2	751.0
R (Ω)	± 3.6	± 3.6	± 3.5	± 3.5	± 3.5	± 3.3	± 4.1	± 5.8	± 7.1
T (K)	± 4.5	± 4.5	± 4.5	± 4.5	± 4.5	± 4.5	± 6.0	± 9.0	± 12.0

From RT to 650 °C 20 + 5 m/s gas flow

	T_{min}	T_{max}
T 50	10 s	16 s
T 63	13 s	21 s